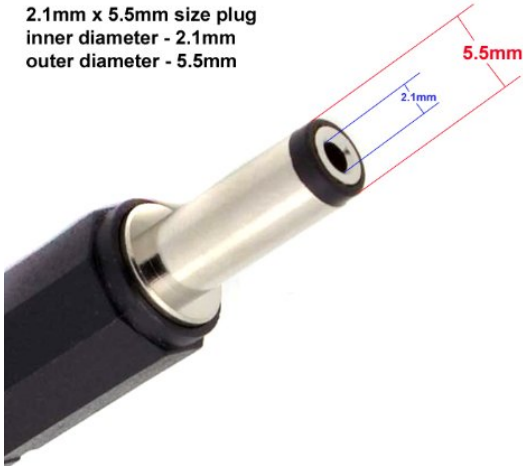


DC Jack size information

The microprocessor kits can be powered with any AC adapter, +9V 1A.
The barrel size is 5.5mm x 2.1mm. Center pin is POSITIVE.

2.1mm x 5.5mm size plug
inner diameter - 2.1mm
outer diameter - 5.5mm



positive
polarity

For indoor use, the example of AC adapter is +9V,1A.



For outdoor or class teaching, we can use cell phone power bank and the +9V USB power cable.

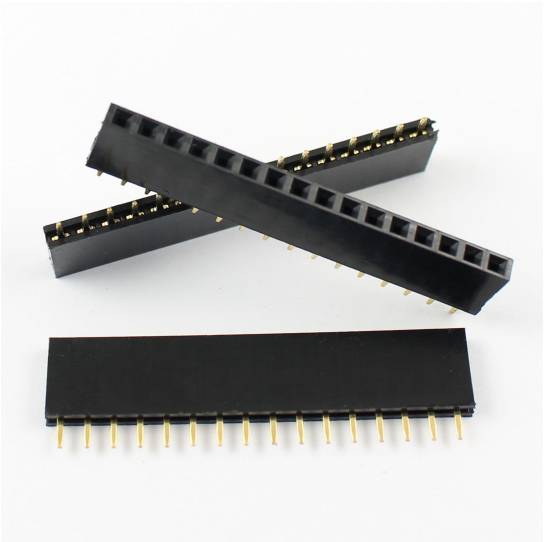
The cable converts +5V from power bank to +9V, 0.8A. It can power most of the microprocessor kits. One side is USB port connected to the power bank, the small box is DC-to-DC converter. The end side is DC jack compatible with our kits. (Only 68008, 8080 and 8086 kits will need AC adapter).



LCD pin header information

The microprocessor kits provide 16-pins MALE header on-board. The LCD module is HD44780 compatible. Any size with 16 pins can be used. The 16x2 LCD is common and very cheap one. Ensure pin 15 is +LED back light and pin 16 is GND.

Pin header on the LCD module must be FEMALE type. Pitch is 2.54mm.

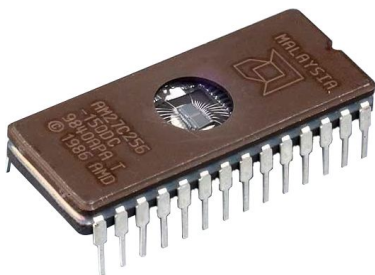


Note: 1. Installing the LCD must be done when the kit is powered OFF!

2. Display contrast must be proper adjusted using Trimmer pot (blue color).

Replacing the Window EPROM with Flash ROM

The kits provide system monitor ROM using Window EPROM, 27C256. We can replace it with Flash ROM, SST27SF256 directly. Erasing and reprogramming the ROM monitor will be more convenient. The Minipro, TL866CS can be used to program the Flash ROM.



More information, please contact wichit.sirichote@gmail.com website: kswichit.com