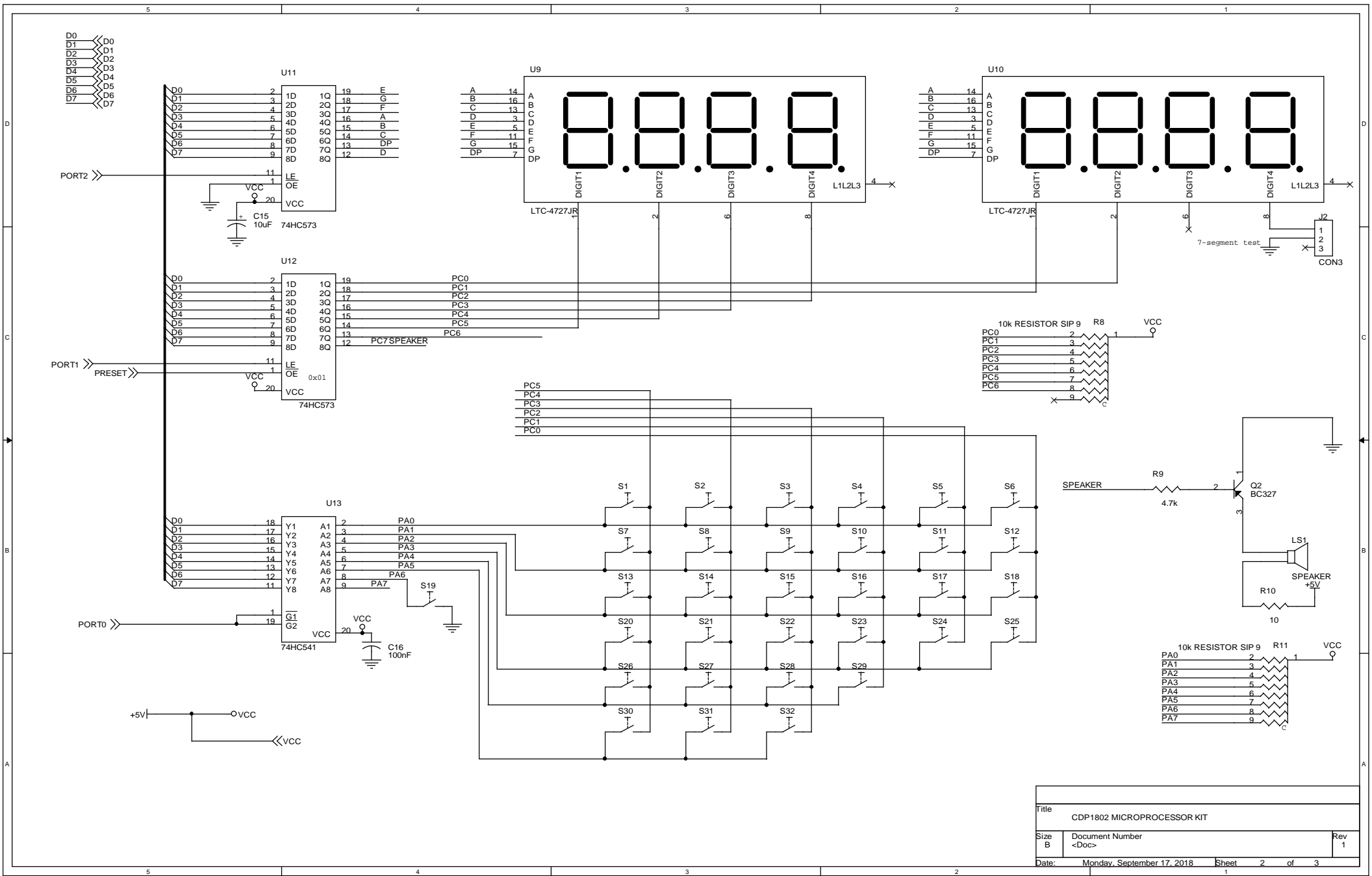


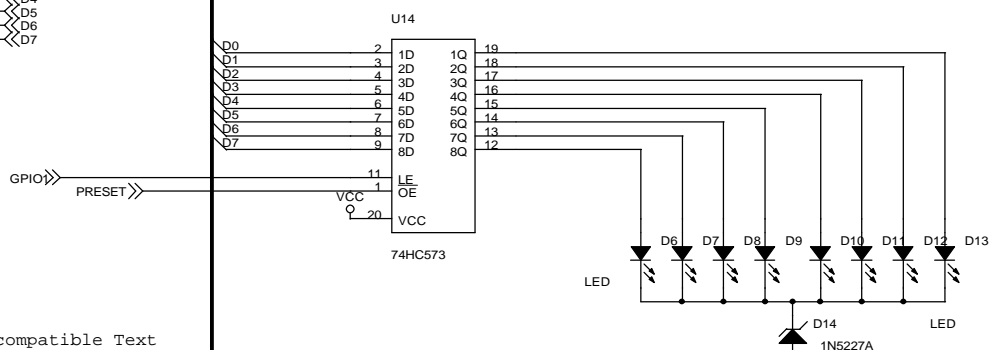
Title		
CDP1802 MICROPROCESSOR KIT 2018		
Size	Document Number	Rev
B	<Doc>	1
Date:		Monday, September 17, 2018
Sheet		1 of 3

Designed by Wichit Sirichote, wicit.sirichote@gmail.com, (C) 2018



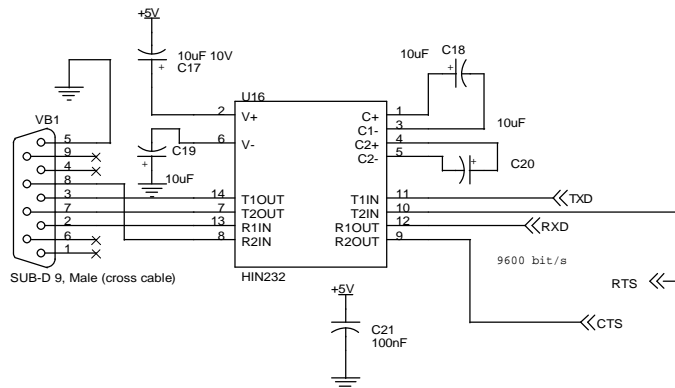
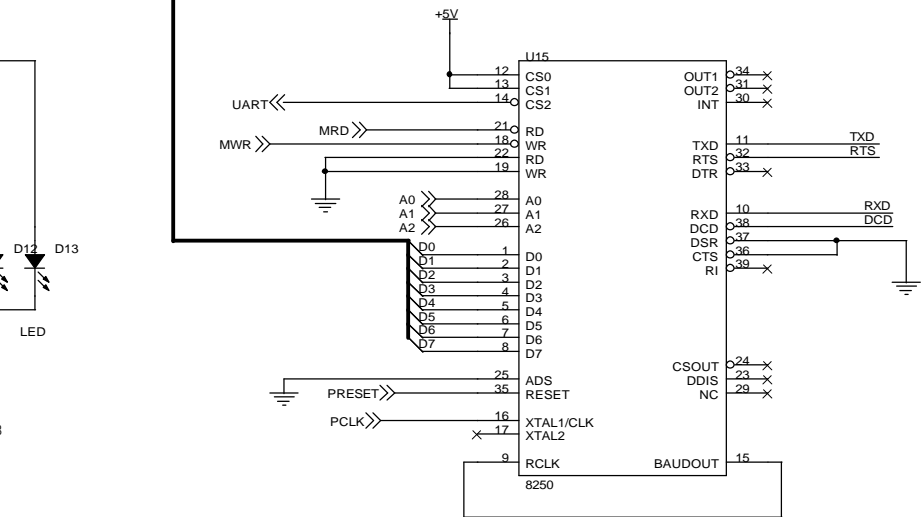
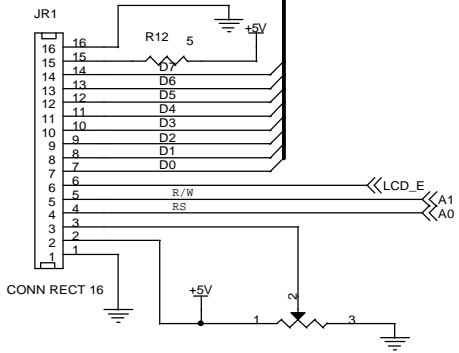
Title		
CDP1802 MICROPROCESSOR KIT		
Size	Document Number	Rev
B	<Doc>	1
Date:	Monday, September 17, 2018	Sheet 2 of 3

D0
D1
D2
D3
D4
D5
D6
D7



8-bit Binary display LED x8

HD44780 compatible Text LCD interface



Title		
CDP1802 MICROPROCESSOR KIT		
Size B	Document Number <Doc>	Rev 1
Date:	Monday, September 17, 2018	Sheet 3 of 3